

# PARTS LIST

## CAUTION

- The parts identified by the  $\Delta$  symbol are important for the safety . Whenever replacing these parts, be sure to use specified ones to secure the safety .
- The parts not indicated in this Parts List and those which are filled with lines --- in the Parts No. columns will not be supplied .
- P. W. Board Ass'y will not be supplied, but those which are filled with the Parts No. in the Parts No. columns will be supplied .

## ABBREVIATIONS OF RESISTORS, CAPACITORS AND TOLERANCES

RESISTORS		CAPACITORS	
C R	Carbon Resistor	C CAP.	Ceramic Capacitor
F R	Fusible Resistor	E CAP.	Electrolytic Capacitor
P R	Plate Resistor	M CAP.	Mylar Capacitor
V R	Variable Resistor	HV CAP.	High Voltage Capacitor
HV R	High Voltage Resistor	MF CAP.	Metalized Film Capacitor
MF R	Metal Film Resistor	MM CAP.	Metalized Mylar Capacitor
MG R	Metal Glazed Resistor	MP CAP.	Metalized Polystyrol Capacitor
MP R	Metal Plate Resistor	PP CAP.	Polypropylene Capacitor
OM R	Metal Oxide Film Resistor	PS CAP.	Polystyrol Capacitor
CMF R	Coating Metal Film Resistor	TF CAP.	Thin Film Capacitor
UNF R	Non-Flammable Resistor	MPP CAP.	Metalized Polypropylene Capacitor
CH V R	Chip Variable Resistor	TAN. CAP.	Tantalum Capacitor
CH MG R	Chip Metal Glazed Resistor	CH C CAP.	Chip Ceramic Capacitor
COMP. R	Composition Resistor	BP E CAP.	Bi-Polar Electrolytic Capacitor
LPTC R	Linear Positive Temperature Coefficient Resistor	CH AL E CAP.	Chip Aluminum Electrolytic Capacitor
		CH AL BP CAP.	Chip Aluminum Bi-Polar Capacitor
		CH TAN. E CAP.	Chip Tantalum Electrolytic Capacitor
		CH AL BP E CAP.	Chip Tantalum Bi-Polar Electrolytic Capacitor

TOLERANCES									
F	G	J	K	M	N	R	H	Z	P
±1%	±2%	±5%	±10%	±20%	±30%	+30% -10%	+50% -10%	+80% -20%	+100% -0%

## CONTENTS

■ USING P.W. BOARD & REMOTE CONTROL UNIT .....	29
■ REMOTE CONTROL UNIT PARTS LIST .....	29
■ EXPLODED VIEW PARTS LIST .....	30
■ EXPLODED VIEW .....	30
■ PRINTED WIRING BOARD PARTS LIST	
● MAIN PW BOARD ASS'Y .....	32
● CRT SOCKET PW BOARD ASS'Y .....	36
● FRONT CONTROL PW BOARD ASS'Y .....	36
● AV SELECTOR PW BOARD ASS'Y .....	37
● FRONT AV IN PW BOARD ASS'Y .....	38
■ PACKING .....	39
■ PACKING PARTS LIST .....	39

**USING P.W. BOARD & REMOTE CONTROL UNIT**

<b>P.W.B ASS'Y</b>	<b>Model</b>	<b>AV-N29101</b>
MAIN P.W.B		SGF-1014A-M2
CRT SOCKET P.W.B		SGF-3001A-M2
FRONT CONTROL P.W.B		SGF-4003A-M2
AV SELECTOR P.W.B		SGF-8006A-M2
FRONT AV IN P.W.B		SGF-8303A-M2
REMOTE CONTROL UNIT		RM-C381-1A

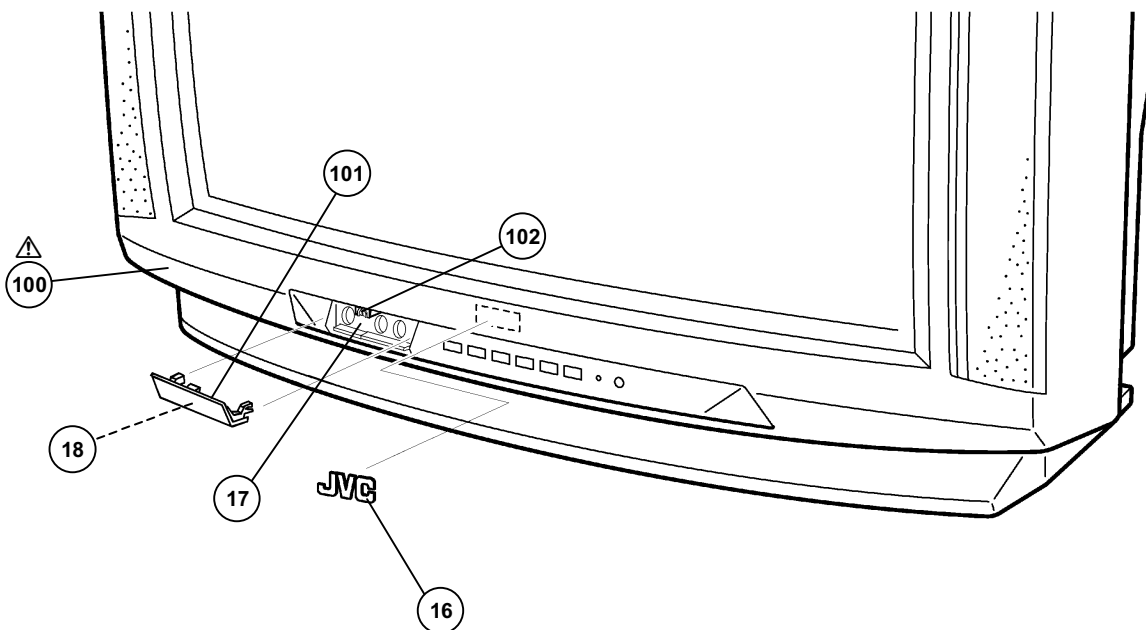
**REMOTE CONTROL UNIT PARTS LIST (RM-C381-1A)**

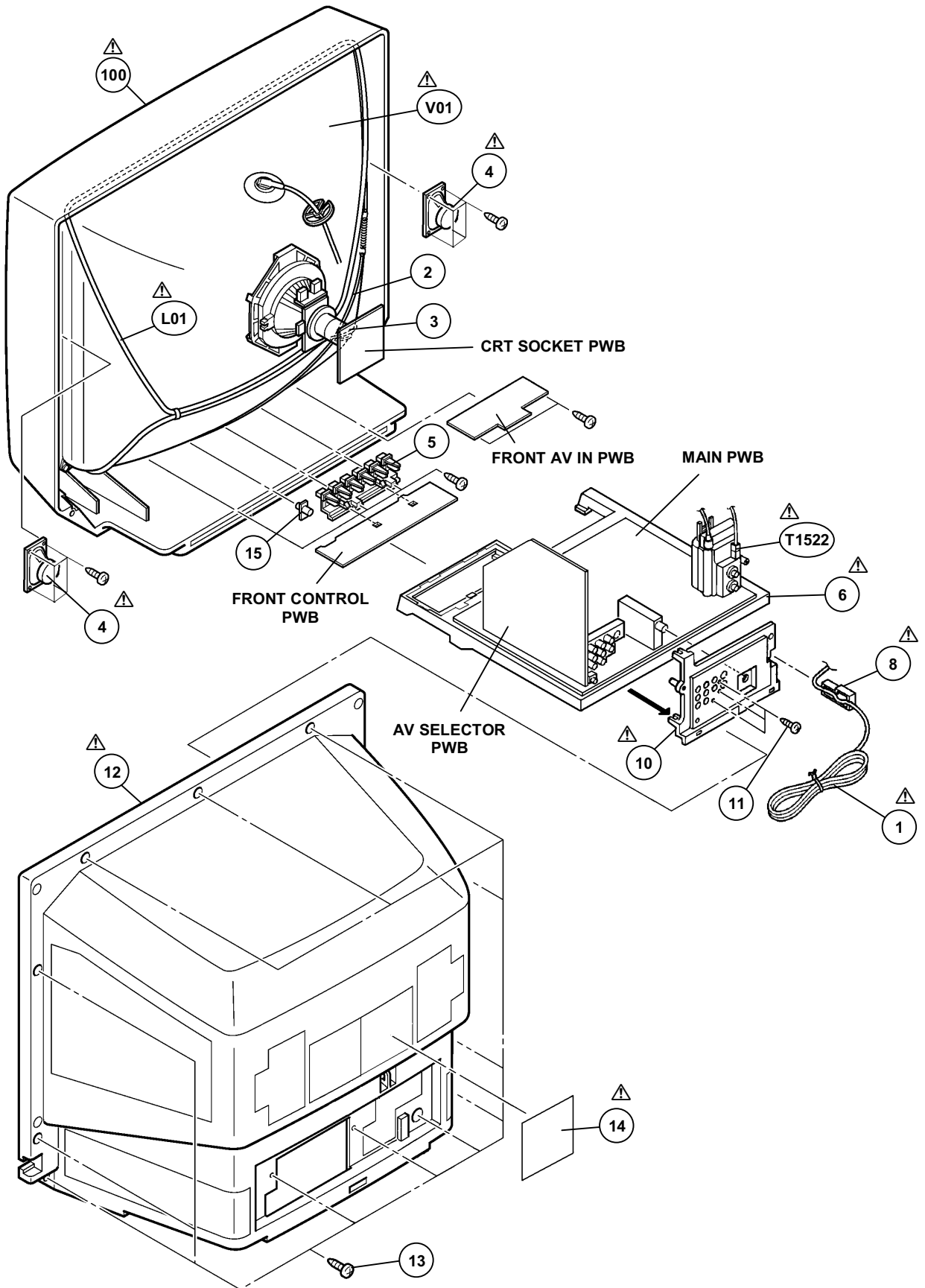
Ref.No.	Part No.	Part Name	Description
	UR52EC1286A	BATTERY COVER	(RM-C381-1A)

## EXPLODE VIEW PARTS LIST

△ Ref.No.	Part No.	Part Name	Description
△ L01	CE41329-00DJB	DEGAUSSING COIL	
△ V01	A68AEG25X891	ITC TUBE(C)	(Inc.DY)
△ T1522	QQH0062-001	H.V.TRANSF.	(Within MAIN PWB)
△ 1	QMPD270-200-K2	POWER CORD	CN11PW(Within MAIN PWB)
△ 2	CHGB0015-0B	BRAIDED WIRE	
△ 3	CHGB0016-0C	BRAIDED WIRE	
△ 4	CEB5S12D-04KJ2	SPEAKER	(×2)SP01,SP02
△ 5	LC20217-003A-A	CONTROL KNOB	
△ 6	LC10363-001D-A	CHASSIS BASE	
△ 8	CM48140-A03-A	CORD CLAMP	
△ 10	LC20087-007A-A	TERMINAL BOARD	
△ 11	QYSBSB3010Z	TAPPING SCREW	(×3)
△ 12	LC10277-002A-A	REAR COVER	
△ 13	QYSBSFG4016Z	TAPPING SCREW	(×12)
△ 14	GQ20001-001A-A	RATING LABEL	
△ 15	LC30191-002A-A	REMOCON LENS	
16	CM48006-006-C	JVC MARK	
17	GQ40003-001A-A	CONTROL SHEET	
18	GQ40004-001A-A	DOOR SHEET	
△ 100	LC10640-002A-A	FRONT CABI ASSY	Inc.No.101~102
101	LC20409-002A-A	DOOR	
102	CM48229-00A-C	DOOR LATCH	

## EXPLODED VIEW





# PRINTED WIRING BOARD PARTS LIST

## MAIN PW BOARD ASS'Y (SGF-1014A-M2)

△ Symbol No.	Part No.	Part Name	Description
<b>VARIABLE RESISTOR</b>			
R1579	QVP0067-203Z	V R(SIDE PIN CORRECT)	20kΩ
R1581	QVP0067-502Z	V R(H.WIDTH)	5kΩ
<b>RESISTOR</b>			
R1003-04	NRSA02J-101X	MG R	100Ω 1/10W J
R1005	NRSA02J-272X	MG R	2.7kΩ 1/10W J
R1006	NRSA02J-223X	MG R	22kΩ 1/10W J
R1101	NRSA02J-820X	MG R	82Ω 1/10W J
R1102	NRSA02J-562X	MG R	5.6kΩ 1/10W J
R1103	NRSA02J-182X	MG R	1.8kΩ 1/10W J
R1104	QRE121J-331Y	C R	330Ω 1/2W J
R1105	NRSA02J-100X	MG R	10Ω 1/10W J
R1106	NRSA02J-390X	MG R	39Ω 1/10W J
R1108	NRSA02J-183X	MG R	18kΩ 1/10W J
R1110	QRL029J-330	OM R	33Ω 2W J
R1131	NRSA02J-181X	MG R	180Ω 1/10W J
R1132-33	NRSA02J-101X	MG R	100Ω 1/10W J
R1134	NRSA02J-152X	MG R	1.5kΩ 1/10W J
R1135	NRSA02J-561X	MG R	560Ω 1/10W J
R1136	NRSA02J-122X	MG R	1.2kΩ 1/10W J
R1137	NRSA02J-471X	MG R	470Ω 1/10W J
R1139	NRSA02J-681X	MG R	680Ω 1/10W J
R1161-62	NRSA02J-102X	MG R	1kΩ 1/10W J
R1163	NRSA02J-332X	MG R	3.3kΩ 1/10W J
R1164	NRSA02J-472X	MG R	4.7kΩ 1/10W J
R1201	NRSA02J-0R0X	MG R	0.0Ω 1/10W J
R1208	NRSA02J-0R0X	MG R	0.0Ω 1/10W J
R1209	NRSA02J-272X	MG R	2.7kΩ 1/10W J
R1210	NRSA02J-821X	MG R	820Ω 1/10W J
R1211	NRSA02J-683X	MG R	68kΩ 1/10W J
R1212	NRSA02J-224X	MG R	220kΩ 1/10W J
R1215	NRSA02J-471X	MG R	470Ω 1/10W J
R1216	NRSA02J-681X	MG R	680Ω 1/10W J
R1217	NRSA02J-272X	MG R	2.7kΩ 1/10W J
R1225	NRSA02J-681X	MG R	680Ω 1/10W J
R1231	NRSA02J-472X	MG R	4.7kΩ 1/10W J
R1232	NRSA02J-392X	MG R	3.9kΩ 1/10W J
R1233	NRSA02J-182X	MG R	1.8kΩ 1/10W J
R1236	NRSA02J-471X	MG R	470Ω 1/10W J
R1237	NRSA02J-392X	MG R	3.9kΩ 1/10W J
R1238	NRSA02J-471X	MG R	470Ω 1/10W J
R1239	NRSA02J-332X	MG R	3.3kΩ 1/10W J
R1301	NRSA02J-393X	MG R	39kΩ 1/10W J
R1302	NRSA02J-183X	MG R	18kΩ 1/10W J
R1311-12	NRSA02J-473X	MG R	47kΩ 1/10W J
R1313	NRSA02J-222X	MG R	2.2kΩ 1/10W J
R1314	NRSA02J-680X	MG R	68Ω 1/10W J
R1421	NRSA02J-472X	MG R	4.7kΩ 1/10W J
R1422	QRE121J-391Y	C R	390Ω 1/2W J
R1423	QRT029J-R82	MF R	0.82Ω 2W J
R1424	QRE121J-102Y	C R	1kΩ 1/2W J
R1425	NRSA02J-563X	MG R	56kΩ 1/10W J
R1427	NRSA02J-332X	MG R	3.3kΩ 1/10W J
R1428	NRSA02J-273X	MG R	27kΩ 1/10W J
R1429	NRSA02J-223X	MG R	22kΩ 1/10W J
R1430	NRSA02J-102X	MG R	1kΩ 1/10W J
R1501	NRSA02J-361X	MG R	360Ω 1/10W J
R1502	NRSA02J-182X	MG R	1.8kΩ 1/10W J
R1504	NRSA02J-0R0X	MG R	0.0Ω 1/10W J
R1505	NRSA02J-822X	MG R	8.2kΩ 1/10W J
R1506	NRSA02J-222X	MG R	2.2kΩ 1/10W J
R1507	NRSA02J-563X	MG R	56kΩ 1/10W J
R1511	NRSA02J-391X	MG R	390Ω 1/10W J
R1521	NRSA02J-391X	MG R	390Ω 1/10W J
R1522	NRSA02J-271X	MG R	270Ω 1/10W J

△ Symbol No.	Part No.	Part Name	Description
<b>RESISTOR</b>			
R1523	QRE121J-103Y	C R	10kΩ 1/2W J
R1524	QRG029J-182	OM R	1.8kΩ 2W J
R1525	QRG029J-152	OM R	1.5kΩ 2W J
R1531	QRE121J-220Y	C R	22Ω 1/2W J
R1532	QRE121J-681Y	C R	680Ω 1/2W J
R1533	QRL039J-103	OM R	10kΩ 3W J
△ R1541	QRK129J-150	C R	15Ω 1/2W J
R1542	QRX01GJ-1R2	MF R	1.2Ω 1W J
△ R1544	QRZ9017-4R7	F R	4.7Ω 1/4W J
R1545	QRE121J-822Y	C R	8.2kΩ 1/2W J
R1547-48	QRE121J-184Y	C R	180kΩ 1/2W J
R1553	NRSA02J-333X	MG R	33kΩ 1/10W J
△ R1556	NRVA02D-752X	MF R	7.5kΩ 1/10W D
△ R1557	NRVA02D-242X	MF R	2.4kΩ 1/10W D
R1558	NRSA02J-333X	MG R	33kΩ 1/10W J
R1559	NRSA02J-123X	MG R	12kΩ 1/10W J
R1560	NRSA02J-273X	MG R	27kΩ 1/10W J
R1561	NRSA02J-103X	MG R	10kΩ 1/10W J
R1572	NRSA02J-683X	MG R	68kΩ 1/10W J
R1573	NRSA02J-153X	MG R	15kΩ 1/10W J
R1574	NRSA02J-184X	MG R	180kΩ 1/10W J
R1575	NRSA02J-274X	MG R	270kΩ 1/10W J
R1576	NRSA02J-123X	MG R	12kΩ 1/10W J
R1577	NRSA02J-102X	MG R	1kΩ 1/10W J
R1578	NRSA02J-473X	MG R	47kΩ 1/10W J
R1580	NRSA02J-103X	MG R	10kΩ 1/10W J
R1582	NRSA02J-104X	MG R	100kΩ 1/10W J
R1583	NRSA02J-182X	MG R	1.8kΩ 1/10W J
R1584	NRSA02J-152X	MG R	1.5kΩ 1/10W J
R1585	NRSA02J-332X	MG R	3.3kΩ 1/10W J
R1586	QRE121J-472Y	C R	4.7kΩ 1/2W J
R1587	NRSA02J-332X	MG R	3.3kΩ 1/10W J
R1588	QRL039J-100	OM R	10Ω 3W J
R1592	QRE121J-270Y	C R	27Ω 1/2W J
R1601	NRSA02J-682X	MG R	6.8kΩ 1/10W J
R1602	NRSA02J-0R0X	MG R	0.0Ω 1/10W J
R1603	NRSA02J-682X	MG R	6.8kΩ 1/10W J
R1604	NRSA02J-0R0X	MG R	0.0Ω 1/10W J
R1605	QRT029J-R15	MF R	0.15Ω 2W J
R1606-07	NRSA02J-223X	MG R	22kΩ 1/10W J
R1611	NRSA02J-333X	MG R	33kΩ 1/10W J
R1612	NRSA02J-223X	MG R	22kΩ 1/10W J
R1613-14	NRSA02J-0R0X	MG R	0.0Ω 1/10W J
R1615-16	NRSA02J-821X	MG R	820Ω 1/10W J
R1617	NRSA02J-473X	MG R	47kΩ 1/10W J
R1701	NRSA02J-102X	MG R	1kΩ 1/10W J
R1704	NRSA02J-0R0X	MG R	0.0Ω 1/10W J
R1705	NRSA02J-103X	MG R	10kΩ 1/10W J
R1706	NRSA02J-102X	MG R	1kΩ 1/10W J
R1710	NRSA02J-331X	MG R	330Ω 1/10W J
R1711	NRSA02J-223X	MG R	22kΩ 1/10W J
R1713	NRSA02J-103X	MG R	10kΩ 1/10W J
R1714	NRSA02J-222X	MG R	2.2kΩ 1/10W J
R1715	NRSA02J-682X	MG R	6.8kΩ 1/10W J
R1716	NRSA02J-222X	MG R	2.2kΩ 1/10W J
R1717	NRSA02J-471X	MG R	470Ω 1/10W J
R1718	NRSA02J-222X	MG R	2.2kΩ 1/10W J
R1719	NRSA02J-471X	MG R	470Ω 1/10W J
R1720	NRSA02J-222X	MG R	2.2kΩ 1/10W J
R1721	NRSA02J-471X	MG R	470Ω 1/10W J
R1724	NRSA02J-102X	MG R	1kΩ 1/10W J
R1725	NRSA02J-104X	MG R	100kΩ 1/10W J
R1728-29	NRSA02J-272X	MG R	2.7kΩ 1/10W J
R1730-31	NRSA02J-101X	MG R	100Ω 1/10W J
R1732	NRSA02J-474X	MG R	470kΩ 1/10W J
R1733-34	NRSA02J-682X	MG R	6.8kΩ 1/10W J
R1735	NRSA02J-103X	MG R	10kΩ 1/10W J

△ Symbol No.	Part No.	Part Name	Description
<b>RESISTOR</b>			
R1736	NRSA02J-102X	MG R	1kΩ 1/10W J
R1739	NRSA02J-473X	MG R	47kΩ 1/10W J
R1741	NRSA02J-223X	MG R	22kΩ 1/10W J
R1742	NRSA02J-822X	MG R	8.2kΩ 1/10W J
R1743	NRSA02J-222X	MG R	2.2kΩ 1/10W J
R1744	NRSA02J-103X	MG R	10kΩ 1/10W J
R1745	NRSA02J-473X	MG R	47kΩ 1/10W J
R1746	NRSA02J-103X	MG R	10kΩ 1/10W J
R1747	NRSA02J-222X	MG R	2.2kΩ 1/10W J
R1756-57	NRSA02J-682X	MG R	6.8kΩ 1/10W J
R1759	NRSA02J-102X	MG R	1kΩ 1/10W J
R1772	NRSA02J-102X	MG R	1kΩ 1/10W J
R1773	NRSA02J-121X	MG R	120Ω 1/10W J
R1791-95	NRSA02J-561X	MG R	560Ω 1/10W J
R1801-03	NRSA02J-222X	MG R	2.2kΩ 1/10W J
R1804-06	NRSA02J-101X	MG R	100Ω 1/10W J
△ R1901	QRF074K-R47	UNF R	0.47Ω 7W K
R1902	QRE121J-822Y	C R	8.2kΩ 1/2W J
R1903	NRSA02J-681X	MG R	680Ω 1/10W J
R1904-05	QRT029J-R22	MF R	0.22Ω 2W J
R1906	QRE121J-822Y	C R	8.2kΩ 1/2W J
R1907-08	QRL039J-393	OM R	39kΩ 3W J
R1909	QRE121J-332Y	C R	3.3kΩ 1/2W J
R1912-13	QRE121J-333Y	C R	33kΩ 1/2W J
R1914	QRE121J-2R2Y	C R	2.2Ω 1/2W J
R1915	NRSA02J-392X	MG R	3.9kΩ 1/10W J
R1916	NRSA02J-392X	MG R	3.9kΩ 1/10W J
R1917	NRSA02J-103X	MG R	10kΩ 1/10W J
R1918	NRSA02J-102X	MG R	1kΩ 1/10W J
R1920	NRSA02J-103X	MG R	10kΩ 1/10W J
R1924	QRG01GJ-221	OM R	220Ω 1W J
R1925	NRSA02J-103X	MG R	10kΩ 1/10W J
R1926	QRT029J-R82	MF R	0.82Ω 2W J
R1928	NRSA02J-682X	MG R	6.8kΩ 1/10W J
R1931	NRSA02J-123X	MG R	12kΩ 1/10W J
R1933	NRSA02J-123X	MG R	12kΩ 1/10W J
R1934	NRSA02J-104X	MG R	100kΩ 1/10W J
R1936	QRE121J-222Y	C R	2.2kΩ 1/2W J
R1940	NRSA02J-104X	MG R	100kΩ 1/10W J
R1941	NRSA02J-102X	MG R	1kΩ 1/10W J
R1942	NRSA02J-222X	MG R	2.2kΩ 1/10W J
R1943	NRSA02J-0R0X	MG R	0.0Ω 1/10W J
R1944	NRSA02J-393X	MG R	39kΩ 1/10W J
R1945-46	NRSA02J-102X	MG R	1kΩ 1/10W J
R1947	NRSA02J-472X	MG R	4.7kΩ 1/10W J
R1948	NRSA02J-222X	MG R	2.2kΩ 1/10W J
R1949	NRSA02J-104X	MG R	100kΩ 1/10W J
R1951	QRT029J-1R2	MF R	1.2Ω 2W J
R1952	QRT029J-1R0	MF R	1.0Ω 2W J
R1954	QRE121J-272Y	C R	2.7kΩ 1/2W J
R1955	QRE121J-473Y	C R	47kΩ 1/2W J
R1956	NRSA02J-223X	MG R	22kΩ 1/10W J
R1961	QRJ146J-3R3X	C R	3.3Ω 1/4W J
R1962	QRL029J-472	OM R	4.7kΩ 2W J
R1963	NRSA02J-103X	MG R	10kΩ 1/10W J
R1966	NRSA02J-223X	MG R	22kΩ 1/10W J
R1967	QRE121J-683Y	C R	68kΩ 1/2W J
△ R1998	QRZ9041-275	C R	2.7M 1/2W K
△ R1999	QRE121J-121Y	C R	120Ω 1/2W J

**CAPACITOR**

C1001	QETN1HM-475Z	E CAP.	4.7μF 50V M
C1004	QETN1CM-227Z	E CAP.	220μF 16V M
C1005	QETN1EM-476Z	E CAP.	47μF 25V M
C1006	NCB21HK-103X	C CAP.	0.01μF 50V K
C1007	QETN1HM-106Z	E CAP.	10μF 50V M
C1011	NCB21HK-103X	C CAP.	0.01μF 50V K

△ Symbol No.	Part No.	Part Name	Description
<b>CAPACITOR</b>			
C1101	QFV71HJ-104Z	MF CAP.	0.1μF 50V J
C1102	NCB21HK-103X	C CAP.	0.01μF 50V K
C1103	QETN1CM-107Z	E CAP.	100μF 16V M
C1104-05	NCB21HK-103X	C CAP.	0.01μF 50V K
C1106	NDC21HJ-680X	C CAP.	680F 50V J
C1107	NCB21HK-103X	C CAP.	0.01μF 50V K
C1108	QETN1CM-107Z	E CAP.	100μF 16V M
C1110	NCB21HK-103X	C CAP.	0.01μF 50V K
C1111	NCB21HK-222X	C CAP.	2200pF 50V K
C1113	NDC21HJ-5R0X	C CAP.	5.0pF 50V J
C1131	QFV71HJ-154Z	MF CAP.	0.15μF 50V J
C1132	QFN31HJ-152Z	M CAP.	1500pF 50V J
C1133	QETN1HM-474Z	E CAP.	0.47μF 50V M
C1134	NCB21HK-223X	C CAP.	0.022μF 50V K
C1135	NCB21HK-103X	C CAP.	0.01μF 50V K
C1137	QETN1EM-476Z	E CAP.	47μF 25V M
C1161	QETN1CM-227Z	E CAP.	220μF 16V M
C1162	NCB21HK-103X	C CAP.	0.01μF 50V K
C1163	NDC21HJ-220X	C CAP.	22pF 50V J
C1164-65	NDC21HJ-470X	C CAP.	47pF 50V J
C1166	NCB21HK-103X	C CAP.	0.01μF 50V K
C1168-70	NCB21HK-103X	C CAP.	0.01μF 50V K
C1171	NCB21HK-222X	C CAP.	2200pF 50V K
C1205	NCB21HK-104X	CHIP CAP.	0.1μF 50V K
C1206	QETN1HM-105Z	E CAP.	1μF 50V M
C1207	QETN1HM-106Z	E CAP.	10μF 50V M
C1225	NCB21HK-104X	CHIP CAP.	0.1μF 50V K
C1226	NDC21HJ-681X	C CAP.	680pF 50V J
C1228	NCB21HK-104X	CHIP CAP.	0.1μF 50V K
C1231	QETN1EM-476Z	E CAP.	47μF 25V M
C1232	QETN1HM-106Z	E CAP.	10μF 50V M
C1233	QETN1EM-476Z	E CAP.	47μF 25V M
C1234-35	QETN1HM-105Z	E CAP.	1μF 50V M
C1301	NCB21HK-103X	C CAP.	0.01μF 50V K
C1302	NDC21HJ-100X	C CAP.	10pF 50V J
C1303	NCB21HK-223X	C CAP.	0.022μF 50V K
C1304	QETN1HM-474Z	E CAP.	0.47μF 50V M
C1305	QETN1CM-107Z	E CAP.	100μF 16V M
C1308	NCB21HK-103X	C CAP.	0.01μF 50V K
C1401	QETN1HM-225Z	E CAP.	2.2μF 50V M
C1402	QBHC1CK-225Z	TAN. CAP.	2.2μF 16V K
C1403	NCB21HK-102X	C CAP.	1000pF 50V K
C1421	NCB21HK-103X	C CAP.	0.01μF 50V K
C1422	QCS32HJ-820Z	C CAP.	82pF 500V J
C1424	QETN1VM-107Z	E CAP.	100μF 35V M
C1425	QETN1VM-477Z	E CAP.	470μF 35V M
C1426	QFLC2AK-563Z	M CAP.	0.056μF 100V K
C1427	QETN1EM-228	E CAP.	2200μF 25V M
C1428-29	QFV71HJ-394Z	MF CAP.	0.39μF 50V J
C1501	QETN1CM-227Z	E CAP.	220μF 16V M
C1502	QETN1HM-106Z	E CAP.	10μF 50V M
C1503	NCB21HK-103X	C CAP.	0.01μF 50V K
C1505	QETN1HM-106Z	E CAP.	10μF 50V M
C1511	QETN1EM-476Z	E CAP.	47μF 25V M
C1521	QCB32HK-151Z	C CAP.	150pF 500V K
C1522	QCB32HK-331Z	C CAP.	330pF 500V K
C1523	QEHR2CM-105Z	E CAP.	1μF 160V M
△ C1531	QFZ0196-472	MPP CAP.	4700pF1.5kVH ±3%
△ C1532	QFZ0198-133	MPP CAP.	0.0133F1.5kVH ±3%
△ C1533	QFP32GJ-223	PP CAP.	0.022μF 400V J
C1534	QEHR2EM-225Z	E CAP.	2.2μF 250V M
△ C1535	QFZ0197-624	MPP CAP.	0.62μF 250V J
C1536	QCB32HK-561Z	C CAP.	560pF 500V K
C1538	QEZ0420-107	E CAP.	100μF 160V M
C1541	QETN2EM-226Z	E CAP.	22μF 250V M
C1542	QETM1VM-108	E CAP.	1000μF 35V M
C1544	QETN1VM-107Z	E CAP.	100μF 35V M
C1545	QFN32AJ-472Z	M CAP.	4700pF 100V J
C1546	QFV71HJ-684Z	MF CAP.	0.68μF 50V J
C1547	QCB32HK-561Z	C CAP.	560pF 500V K

Symbol No.	Part No.	Part Name	Description
<b>CAPACITOR</b>			
C1548	QCB32HK-102Z	C CAP.	1000pF 500V K
C1551	QETN1HM-106Z	E CAP.	10µF 50V M
C1572	QFLC1HJ-153Z	M CAP.	0.015µF 50V J
C1573	QFLC1HJ-683Z	M CAP.	0.068µF 50V J
C1574	QETN1AM-477Z	E CAP.	470µF 10V M
C1575	QFLC1HJ-683Z	M CAP.	0.068µF 50V J
C1577	QETN1VM-476Z	E CAP.	47µF 35V M
C1578-79	QEM61HK-475Z	E CAP.	4.7µF 50V K
C1580	NDC21HJ-330X	C CAP.	33pF 50V J
C1602	QENC1HM-474Z	BP E CAP.	0.47µF 50V M
C1604	QENC1HM-474Z	BP E CAP.	0.47µF 50V M
C1605	QETN1CM-107Z	E CAP.	100µF 16V M
C1606	QETN1EM-108Z	E CAP.	1000µF 25V M
C1607	QETN1HM-474Z	E CAP.	0.47µF 50V M
C1608-09	QETN1EM-108Z	E CAP.	1000µF 25V M
C1613	QETN1EM-476Z	E CAP.	47µF 25V M
C1614	QETN1HM-106Z	E CAP.	10µF 50V M
C1615	QETN1HM-474Z	E CAP.	0.47µF 50V M
C1701	NCB21HK-103X	C CAP.	0.01µF 50V K
C1703	QETN1CM-107Z	E CAP.	100µF 16V M
C1704	NCB21HK-103X	C CAP.	0.01µF 50V K
C1705	NDC21HJ-181X	C CAP.	180pF 50V J
C1706	QETN1HM-474Z	E CAP.	0.47µF 50V M
C1708	QETN1HM-105Z	E CAP.	1µF 50V M
C1709	NDC21HJ-221X	C CAP.	220pF 50V J
C1710-11	NDC21HJ-390X	C CAP.	390pF 50V J
C1712	NDC21HJ-270X	C CAP.	27pF 50V J
C1714	NCB21HK-103X	C CAP.	0.01µF 50V K
C1715	QETN1CM-107Z	E CAP.	100µF 16V M
C1716	NCB21HK-103X	C CAP.	0.01µF 50V K
C1717-18	NDC21HJ-330X	C CAP.	33pF 50V J
C1719	NDC21HJ-471X	C CAP.	470pF 50V J
C1720-21	NCB21HK-103X	C CAP.	0.01µF 50V K
C1724	NDC21HJ-471X	C CAP.	470pF 50V J
C1736	NCB21HK-102X	C CAP.	1000pF 50V K
C1741	QFN31HJ-102Z	M CAP.	1000pF 50V J
C1743	NCB21HK-103X	C CAP.	0.01µF 50V K
C1744	NDC21HJ-221X	C CAP.	220pF 50V J
C1771	QETN1EM-476Z	E CAP.	47µF 25V M
C1772	NCB21HK-103X	C CAP.	0.01µF 50V K
C1773	QETN1CM-107Z	E CAP.	100µF 16V M
C1774	QETN1CM-227Z	E CAP.	220µF 16V M
C1784	QETN1HM-336Z	E CAP.	33µF 50V M
C1801-03	QETN1HM-474Z	E CAP.	0.47µF 50V M
△ C1901	QFZ9040-104	MF CAP.	0.1µFAC275V M
△ C1902	QFZ9040-473	MF CAP.	0.047µFAC275V M
△ C1903	QFZ9040-104	MF CAP.	0.1µFAC275V M
△ C1904	QCZ9052-102	C CAP.	1000pFAC125V M
△ C1906	QCZ9078-102	C CAP.	1000pFAC250V M
△ C1907	QCZ9078-102	C CAP.	1000pFAC250V M
△ C1908	QCZ9078-102	C CAP.	1000pFAC250V M
△ C1910	QEZ0429-477	E CAP.	470µF 200V M
C1911	QETN1EM-108Z	E CAP.	1000µF 25V M
C1912	QFN31HJ-102Z	M CAP.	1000pF 50V J
C1913	QCZ0131-102	C CAP.	1000pF 2kV K
C1914	QCZ0325-391	C CAP.	390pF 2kV K
C1915	QFP32GJ-223	PP CAP.	0.022µF 400V J
C1916	QCZ0131-33Z	C CAP.	3300pF 2kV K
C1918	NCB21HK-102X	C CAP.	1000pF 50V K
C1919	NCB21HK-222X	C CAP.	2200pF 50V K
C1920	QFLC1HJ-823Z	M CAP.	0.082µF 50V J
C1921-23	QCZ0132-152Z	C CAP.	1500pF 500V K
C1924	QEZ0420-107	E CAP.	100µF 160V M
C1925	QCZ0132-152Z	C CAP.	1500pF 500V K
C1926	QEHQ1VM-108	E CAP.	1000µF 35V M
C1927	QEHQ1CM-227Z	E CAP.	220µF 16V M
C1928	QETN1EM-108Z	E CAP.	1000µF 25V M
C1931	QETN1EM-476Z	E CAP.	47µF 25V M
C1932	QEHQ1VM-476Z	E CAP.	47µF 35V M
C1934	NCB21HK-102X	C CAP.	1000pF 50V K
C1935	QETN1HM-107Z	E CAP.	100µF 50V M

Symbol No.	Part No.	Part Name	Description
<b>CAPACITOR</b>			
C1937	QETN2CM-106Z	E CAP.	10µF 160V M
C1938	NDC21HJ-102X	C CAP.	1000pF 50V J
C1951	QETN1CM-107Z	E CAP.	100µF 16V M
C1952	QETN1HM-476Z	E CAP.	47µF 50V M
C1954	QEHQ1HM-226Z	E CAP.	22µF 50V M
△ C1991	QCZ9073-33Z	C CP.	3300p FAC250V M
<b>TRANSFORMER</b>			
T1131	QQR0907-001	IFT	
T1161	CELT003-109J3	S. I. F. TRANSF.	
T1521	CE42034-002	H. DRIVE TRANSF.	
△ T1522	QQH0062-001	H. V. TRANSF.	
△ T1901	QQS0063-001	SWITCH. TRANSF.	
<b>COIL</b>			
L1102	QQLZ014-R22	PEAKING COIL	0.22µH
L1104	QQL29BJ-680Z	PEAKING COIL	68µH
L1131	QQL29BJ-220Z	PEAKING COIL	22µH
L1161	QQL29BJ-680Z	PEAKING COIL	68µH
L1162	QQL29BJ-220Z	PEAKING COIL	22µH
L1201	QQL244K-270Z	PEAKING COIL	27µH
△ L1531	CE41345-00A	LINEARITY COIL	
L1532	QQLZ027-821	CHOKE COIL	
△ L1591	QQLZ026-930	HEATER CHOKE	
L1701	QQL29BJ-4R7Z	PEAKING COIL	4.7µH
L1702	QQL244J-100Z	PEAKING COIL	10µH
L1771	QQL29BJ-4R7Z	PEAKING COIL	4.7µH
L1921-22	QQL42AK-820Z	CHOKE COIL	
<b>DIODE</b>			
D1001	MTZJ33A-T2	ZENER DIODE	
D1231-34	1SS133-T2	SI. DIODE	
D1421	1N4003-T2	SI. DIODE	
D1422	MTZJ75-T2	ZENER DIODE	
D1511	MTZJ3.3A-T2	ZENER DIODE	
△ D1531	RH3G-F1	SI. DIODE	
△ D1532	RU3AM-LFC4	SI. DIODE	
D1533	RGP10J-5025-T3	SI. DIODE	
D1541	RH15-T3	SI. DIODE	
D1542	RGP10J-5025-T3	SI. DIODE	
D1544	1SS81-T2	SI. DIODE	
D1546	1SR124-400A-T2	SI. DIODE	
D1549	MTZJ9.1B-T2	ZENER DIODE	
△ D1551	MA4068N/Z1/-T2	ZENER DIODE	
D1560-61	1SS133-T2	SI. DIODE	
D1601-02	1SS133-T2	SI. DIODE	
D1609	1SS133-T2	SI. DIODE	
D1702-04	1SS133-T2	SI. DIODE	
D1741-42	1SS133-T2	SI. DIODE	
D1771-72	1SS133-T2	SI. DIODE	
D1801	MTZJ5.1B-T2	ZENER DIODE	
D1804	1SS133-T2	SI. DIODE	
△ D1901	D3SBA60-S1	BRIDGE DIODE	
△ D1902	RGP10J-5025-T3	SI. DIODE	
D1903-04	1SS133-T2	SI. DIODE	
D1905	EG1A-T3	SI. DIODE	
D1909	MTZJ15A-T2	ZENER DIODE	
D1910	RGP10J-5025-T3	SI. DIODE	
D1911	1SS133-T2	SI. DIODE	
D1912	MTZJ15A-T2	ZENER DIODE	
D1913-14	RGP10J-5025-T3	SI. DIODE	
D1916	RGP10J-5025-T3	SI. DIODE	
D1918	MTZJ15A-T2	ZENER DIODE	
D1921	RU3AM-LFC4	SI. DIODE	
D1922	RU3YX-LFC4	SI. DIODE	
D1923	EGP10DL-6006-F1	SI. DIODE	
D1925	RGP10J-5025-T3	SI. DIODE	
D1926-28	1SS133-T2	SI. DIODE	
D1931	1SS133-T2	SI. DIODE	



Symbol No.	Part No.	Part Name	Description
<b>DIODE</b>			
D1933	1SS133-T2	SI. DIODE	
D1942	MTZJ6.8C-T2	ZENER DIODE	
D1951	MTZJ7.5S-T2	ZENER DIODE	
<b>TRANSISTOR</b>			
Q1001	DTC124EKA-X	DIGI. TRANSISTOR	
Q1101	2SC5083/L-P/-T	SI. TRANSISTOR	
Q1131-32	2SC2412K/QR/-X	SI. TRANSISTOR	
Q1161	2SC2412K/QR/-X	SI. TRANSISTOR	
Q1203	2SC2412K/QR/-X	SI. TRANSISTOR	
Q1204-05	2SA1037AK/QR/-X	SI. TRANSISTOR	
Q1231-32	2SC2412K/QR/-X	SI. TRANSISTOR	
Q1301	2SC2412K/QR/-X	SI. TRANSISTOR	
Q1521	2SC4212/Z1/	SI. TRANSISTOR	
Q1531	2SD2539-LB	SI. TRANSISTOR	H. OUT
Q1541	2SA1037AK/QR/-X	SI. TRANSISTOR	
Q1542	2SC2785/JH/-T	SI. TRANSISTOR	
Q1551	2SC2412K/QR/-X	SI. TRANSISTOR	
Q1552	2SA1037AK/QR/-X	SI. TRANSISTOR	
Q1553	2SD1408/OY/-LB	SI. TRANSISTOR	
Q1601	DTC124EKA-X	DIGI. TRANSISTOR	
Q1602	2SC2412K/QR/-X	SI. TRANSISTOR	
Q1603	DTC124EKA-X	DIGI. TRANSISTOR	
Q1604	2SA1037AK/QR/-X	SI. TRANSISTOR	
Q1701	DTC124EKA-X	DIGI. TRANSISTOR	
Q1741	2SC2412K/QR/-X	SI. TRANSISTOR	
Q1742	DTC124EKA-X	DIGI. TRANSISTOR	
Q1743	2SC2412K/QR/-X	SI. TRANSISTOR	
Q1911	2SA1037AK/QR/-X	SI. TRANSISTOR	
Q1912	2SD2088-T	SI. TRANSISTOR	
Q1921	2SC2412K/QR/-X	SI. TRANSISTOR	
Q1922	2SD1383K/AB/-X	SI. TRANSISTOR	
Q1923	2SA1020/Y/-T	SI. TRANSISTOR	
Q1924	2SC2412K/QR/-X	SI. TRANSISTOR	
Q1925	2SA949/Y/Z1-T	SI. TRANSISTOR	
Q1926	2SC2240/GL/-T	SI. TRANSISTOR	
Q1927-28	DTC124EKA-X	DIGI. TRANSISTOR	
Q1942	2SC2412K/QR/-X	SI. TRANSISTOR	
Q1943	2SC2240/GL/-T	SI. TRANSISTOR	
Q1944	DTC124EKA-X	DIGI. TRANSISTOR	
Q1951	2SA949/Y/Z1-T	SI. TRANSISTOR	
<b>IC</b>			
IC1001	AN7805F	I. C. (MONO-ANA)	
IC1101	AN7809F	I. C. (MONO-ANA)	
IC1201	TA1242N	I. C. (MONO-ANA)	
IC1421	LA7832	I. C. (MONO-ANA)	
IC1601	LA4485	I. C. (MONO-ANA)	
IC1701	MN1876478JE2	I. C. (MICRO-COMP)	
IC1702	AT24C02-32150U	I. C.	(SERVICE)
IC1703	S-80840ALY-T	I. C. (MONO-ANA)	
IC1771	AN77L05-T	I. C. (MONO-ANA)	
IC1901	STR-F6626/F7	I. C. (HYBRID)	
IC1941	SE135N	I. C. (HYBRID)	

Symbol No.	Part No.	Part Name	Description
<b>OTHERS</b>			
CF1131	QAX0339-001	CERAMIC FILTER	
CF1161	SFSH4.5MCB	CERAMIC FILTER	
CF1501	CSB503F30-T2	CER. RESONATOR	
CF1701	FCR12.0M2S	CER. RESONATOR	
CP11PW	QMPD270-200-K2	POWER CORD	
CP1902	ICP-N75-Y	I. C. PROTECT	
F1901	QMF0007-5R0J1	FUSE	5.0A
K1421	QQR0582-001Z	BEADS CORE	
K1703	QQR0582-001Z	BEADS CORE	
K1901-03	QQR0621-002Z	BEADS CORE	
K1905-06	QQR0621-002Z	BEADS CORE	
K1921-24	QQR0621-002Z	BEADS CORE	
LF1901	QQR1084-001	LINE FILTER	
LF1902	QQR0532-003	LINE FILTER	
PC1901	TLP621(B)	I. C. (PH. COUPLER)	
PC1902	TLP621(B)	I. C. (PH. COUPLER)	
RY1901	CESK028-001	RELAY	
RY1921	CESK028-001	RELAY	
S1421	QSL4A13-C02	LEVER SWITCH	(V. CENTER SW)
SF1101	QAX0324-002	SAW FILTER	
TH1501	CEKP004-002	P. THERMISTOR	
TH1901	CEKP007-002	P. THERMISTOR	
TU1001	QAU0176-001	TUNER	
VA1901	ERZV10V621CS	VARISTOR	
X1301	QAX0310-001Z	CRYSTAL	

**CRT SOCKET PW BOARD ASS'Y (SGF-3001A-M2)**

Symbol No.	Part No.	Part Name	Description
<b>RESISTOR</b>			
R3351-53	NRSA02J-221X	MG R	220Ω 1/10W J
R3354-56	NRSA02J-181X	MG R	180Ω 1/10W J
R3357-59	NRSA02J-101X	MG R	100Ω 1/10W J
R3360-62	QRZ0111-152	C R	1.5kΩ 1/2W K
R3363-65	QRG029J-103	OM R	10kΩ 2W J
R3366-68	NRSA02J-152X	MG R	1.5kΩ 1/10W J
R3381	QRE121J-394Y	C R	390kΩ 1/2W J

Symbol No.	Part No.	Part Name	Description
<b>CAPACITOR</b>			
C3354-55	NCS21HJ-331X	C CAP.	330pF 50V J
C3356	NCS21HJ-391X	C CAP.	390pF 50V J
C3357	QETN1CM-107Z	E CAP.	100μF 16V M
△ C3382	QCZ0121-102	C CAP.	1000pF 3kV Z

Symbol No.	Part No.	Part Name	Description
<b>COIL</b>			
L3381	QQL29BJ-101Z	PEAKING COIL	100μH

Symbol No.	Part No.	Part Name	Description
<b>TRANSISTOR</b>			
Q3351-53	2SC4544-LB	SI. TRANSISTOR	

Symbol No.	Part No.	Part Name	Description
<b>OTHERS</b>			
△ SK3351	CE42446-001	C. R. T. SOCKET	

**FRONT CONTROL PW BOARD ASS'Y (SGF-4003A-M2)**

Symbol No.	Part No.	Part Name	Description
<b>RESISTOR</b>			
R4701	NRSA02J-103X	MG R	10kΩ 1/10W J
R4702	NRSA02J-472X	MG R	4.7kΩ 1/10W J
R4703	NRSA02J-153X	MG R	15kΩ 1/10W J
R4704	NRSA02J-103X	MG R	10kΩ 1/10W J
R4705	NRSA02J-472X	MG R	4.7kΩ 1/10W J
R4706	NRSA02J-153X	MG R	15kΩ 1/10W J
R4707	NRSA02J-332X	MG R	3.3kΩ 1/10W J
R4708	NRSA02J-152X	MG R	1.5kΩ 1/10W J
R4709	NRSA02J-561X	MG R	560Ω 1/10W J

Symbol No.	Part No.	Part Name	Description
<b>CAPACITOR</b>			
C4841	QETN1EM-476Z	E CAP.	47μF 25V M

Symbol No.	Part No.	Part Name	Description
<b>DIODE</b>			
D4701	SLR-342VR3F	L. E. D.	

Symbol No.	Part No.	Part Name	Description
<b>TRANSISTOR</b>			
Q4701-02	DTA124EKA-X	DIGI. TRANSISTOR	

Symbol No.	Part No.	Part Name	Description
<b>IC</b>			
IC4841	GP1U281Q	IFR DETECT UNIT	

Symbol No.	Part No.	Part Name	Description
<b>OTHERS</b>			
	LC30190-001B-A	L. E. D. HOLDER	
S4702	QSW0619-003Z	PUSH SWITCH	(MENU)
S4703	QSW0619-003Z	PUSH SWITCH	(CH-)
S4704	QSW0619-003Z	PUSH SWITCH	(CH+)
S4705	QSW0619-003Z	PUSH SWITCH	(VOL-)
S4706	QSW0619-003Z	PUSH SWITCH	(VOL+)
S4707	QSW0619-003Z	PUSH SWITCH	(POWER)

## AV SELECTOR PW BOARD ASS'Y (SGF-8006A-M2)

△ Symbol No.	Part No.	Part Name	Description
<b>RESISTOR</b>			
R8202	NRSA02J-101X	MG R	100Ω 1/10W J
R8203	NRSA02J-562X	MG R	5.6kΩ 1/10W J
R8204	NRSA02J-101X	MG R	100Ω 1/10W J
R8210	NRSA02J-0R0X	MG R	0.0Ω 1/10W J
R8211	NRSA02J-153X	MG R	15kΩ 1/10W J
R8212	NRSA02J-333X	MG R	33kΩ 1/10W J
R8213	NRSA02J-102X	MG R	1kΩ 1/10W J
R8214	NRSA02J-181X	MG R	180Ω 1/10W J
R8215	NRSA02J-152X	MG R	1.5kΩ 1/10W J
R8216-17	NRSA02J-182X	MG R	1.8kΩ 1/10W J
R8218	NRSA02J-102X	MG R	1kΩ 1/10W J
R8223	NRSA02J-0R0X	MG R	0.0Ω 1/10W J
R8229	NRSA02J-473X	MG R	47kΩ 1/10W J
R8230	NRSA02J-223X	MG R	22kΩ 1/10W J
R8231	NRSA02J-101X	MG R	100Ω 1/10W J
R8232	NRSA02J-102X	MG R	1kΩ 1/10W J
R8233	NRSA02J-272X	MG R	2.7kΩ 1/10W J
R8234	NRSA02J-102X	MG R	1kΩ 1/10W J
R8235-36	NRSA02J-101X	MG R	100Ω 1/10W J
R8241	NRSA02J-821X	MG R	820Ω 1/10W J
R8251	NRSA02J-471X	MG R	470Ω 1/10W J
R8255	NRSA02J-681X	MG R	680Ω 1/10W J
R8256	NRSA02J-182X	MG R	1.8kΩ 1/10W J
R8257	NRSA02J-472X	MG R	4.7kΩ 1/10W J
R8258	NRSA02J-101X	MG R	100Ω 1/10W J
R8259	NRSA02J-222X	MG R	2.2kΩ 1/10W J
R8271	NRSA02J-0R0X	MG R	0.0Ω 1/10W J
R8275	NRSA02J-152X	MG R	1.5kΩ 1/10W J
R8276	NRSA02J-0R0X	MG R	0.0Ω 1/10W J
R8301	NRSA02J-471X	MG R	470Ω 1/10W J
R8303	NRSA02J-102X	MG R	1kΩ 1/10W J
R8304	NRSA02J-101X	MG R	100Ω 1/10W J
R8305	NRSA02J-222X	MG R	2.2kΩ 1/10W J
R8306	NRSA02J-471X	MG R	470Ω 1/10W J
R8310-11	NRSA02J-153X	MG R	15kΩ 1/10W J
R8312	NRSA02J-221X	MG R	220Ω 1/10W J
R8371	NRSA02J-222X	MG R	2.2kΩ 1/10W J
R8372	NRSA02J-471X	MG R	470Ω 1/10W J
R8375	NRSA02J-183X	MG R	18kΩ 1/10W J
R8376	NRSA02J-103X	MG R	10kΩ 1/10W J
R8377	NRSA02J-152X	MG R	1.5kΩ 1/10W J
R8378	NRSA02J-0R0X	MG R	0.0Ω 1/10W J
R8601	NRSA02J-102X	MG R	1kΩ 1/10W J
R8602-03	NRSA02J-682X	MG R	6.8kΩ 1/10W J
R8604	NRSA02J-683X	MG R	68kΩ 1/10W J
R8605	NRSA02J-332X	MG R	3.3kΩ 1/10W J
R8606	NRSA02J-333X	MG R	33kΩ 1/10W J
R8607	NRVA02D-153X	MF R	15kΩ 1/10W D
R8609	NRVA02D-152X	MF R	1.5kΩ 1/10W D
R8611	NRSA02J-512X	MG R	5.1kΩ 1/10W J
R8613-16	NRSA02J-101X	MG R	100Ω 1/10W J
R8661	NRSA02J-123X	MG R	12kΩ 1/10W J
R8662	NRSA02J-473X	MG R	47kΩ 1/10W J
R8663-64	NRSA02J-123X	MG R	12kΩ 1/10W J
R8665	NRSA02J-473X	MG R	47kΩ 1/10W J
R8666	NRSA02J-123X	MG R	12kΩ 1/10W J
R8667-68	NRSA02J-562X	MG R	5.6kΩ 1/10W J
R8671	NRSA02J-562X	MG R	5.6kΩ 1/10W J
R8672	NRSA02J-223X	MG R	22kΩ 1/10W J
R8683-86	NRSA02J-223X	MG R	22kΩ 1/10W J
R8691-94	NRSA02J-221X	MG R	220Ω 1/10W J
R8695-96	NRSA02J-823X	MG R	82kΩ 1/10W J
R8801	NRSA02J-820X	MG R	82Ω 1/10W J
R8802	NRSA02J-750X	MG R	75Ω 1/10W J
R8803	NRSA02J-820X	MG R	82Ω 1/10W J
R8804	NRSA02J-823X	MG R	82kΩ 1/10W J
R8805	NRSA02J-823X	MG R	82kΩ 1/10W J
R8808	NRSA02J-820X	MG R	82Ω 1/10W J
R8809-10	NRSA02J-823X	MG R	82kΩ 1/10W J

△ Symbol No.	Part No.	Part Name	Description
<b>RESISTOR</b>			
R8811-14	NRSA02J-102X	MG R	1kΩ 1/10W J
R8815	NRSA02J-153X	MG R	15kΩ 1/10W J
R8816	NRSA02J-103X	MG R	10kΩ 1/10W J
R8817	NRSA02J-153X	MG R	15kΩ 1/10W J
R8818	NRSA02J-102X	MG R	1kΩ 1/10W J
R8830	NRSA02J-103X	MG R	10kΩ 1/10W J
R8831	NRSA02J-821X	MG R	820Ω 1/10W J
R8832-33	NRSA02J-182X	MG R	1.8kΩ 1/10W J
R8835	NRSA02J-273X	MG R	27kΩ 1/10W J
R8836	NRSA02J-223X	MG R	22kΩ 1/10W J
R8837	NRSA02J-222X	MG R	2.2kΩ 1/10W J
R8851	NRSA02J-562X	MG R	5.6kΩ 1/10W J
R8852	NRSA02J-223X	MG R	22kΩ 1/10W J

## CAPACITOR

C8201	QETN1CM-107Z	E CAP.	100μF 16V M
C8203	QETN1EM-476Z	E CAP.	47μF 25V M
C8204	NCB21HK-103X	C CAP.	0.01μF 50V K
C8208	NCB21HK-103X	C CAP.	0.01μF 50V K
C8209	QETN1EM-476Z	E CAP.	47μF 25V M
C8211	QENC1EM-106Z	BP E CAP.	10μF 25V M
C8212	NDC21HJ-101X	C CAP.	100pF 50V J
C8213	NDC21HJ-470X	C CAP.	47pF 50V J
C8214	NDC21HJ-181X	C CAP.	180pF 50V J
C8215	QETN1HM-474Z	E CAP.	0.47μF 50V M
C8223	NCB21HK-103X	C CAP.	0.01μF 50V K
C8226	NCB21HK-103X	C CAP.	0.01μF 50V K
C8231-32	QETN1EM-476Z	E CAP.	47μF 25V M
C8241-45	NCB21HK-103X	C CAP.	0.01μF 50V K
C8246	NDC21HJ-181X	C CAP.	180pF 50V J
C8247-49	NCB21HK-103X	C CAP.	0.01μF 50V K
C8251	QETN1EM-476Z	E CAP.	47μF 25V M
C8252	NCB21HK-103X	C CAP.	0.01μF 50V K
C8255	NDC21HJ-390X	C CAP.	39pF 50V J
C8304	NDC21HJ-150X	C CAP.	150pF 50V J
C8306	NDC21HJ-680X	C CAP.	68pF 50V J
C8307	NDC21HJ-271X	C CAP.	270pF 50V J
C8371	NCB21HK-103X	C CAP.	0.01μF 50V K
C8375	NCB21HK-103X	C CAP.	0.01μF 50V K
C8601	QETN1CM-107Z	E CAP.	100μF 16V M
C8602	NCB21HK-103X	C CAP.	0.01μF 50V K
C8603	QETN1EM-476Z	E CAP.	47μF 25V M
C8604	NCB21HK-104X	CHIP CAP.	0.1μF 50V K
C8605	QENC1HM-475Z	BP E CAP.	4.7μF 50V M
C8606	QENC1HM-105Z	BP E CAP.	1μF 50V M
C8607	QETN1HM-225Z	E CAP.	2.2μF 50V M
C8608	NCB21HK-473X	C CAP.	0.047μF 50V K
C8609	QETN1HM-474Z	E CAP.	0.47μF 50V M
C8610-11	NCB21HK-104X	CHIP CAP.	0.1μF 50V K
C8612	QETN1HM-105Z	E CAP.	1μF 50V M
C8613	QBTC1CK-335Z	TAN. CAP.	3.3μF 16V K
C8614	QBTC1CK-106Z	TAN. CAP.	10μF 16V K
C8615-16	QETN1HM-105Z	E CAP.	1μF 50V M
C8617	QETN1HM-475Z	E CAP.	4.7μF 50V M
C8618	QETN1HM-105Z	E CAP.	1μF 50V M
C8619	NCB21HK-273X	C CAP.	0.027μF 50V K
C8620	QETN1HM-225Z	E CAP.	2.2μF 50V M
C8621	NCB21HK-222X	C CAP.	2200pF 50V K
C8622	NCB21HK-104X	CHIP CAP.	0.1μF 50V K
C8623	QETN1HM-225Z	E CAP.	2.2μF 50V M
C8624	NCB21HK-222X	C CAP.	2200pF 50V K
C8625	NCB21HK-104X	CHIP CAP.	0.1μF 50V K
C8628	QETN1HM-105Z	E CAP.	1μF 50V M
C8661-62	QENC1HM-105Z	BP E CAP.	1μF 50V M
C8664	QETN1EM-476Z	E CAP.	47μF 25V M
C8691	QETN1HM-474Z	E CAP.	0.47μF 50V M
C8692	QETN1HM-474Z	E CAP.	0.47μF 50V M
C8811-14	QETN1HM-105Z	E CAP.	1μF 50V M

Symbol No.	Part No.	Part Name	Description
<b>CAPACITOR</b>			
C8821-22	QETN1HM-106Z	E CAP.	10μF 50V M
C8825-27	QETN1HM-106Z	E CAP.	10μF 50V M
C8831	QETN1EM-476Z	E CAP.	47μF 25V M
C8832	NCB21HK-103X	C CAP.	0.01μF 50V K
C8833	QETN1HM-106Z	E CAP.	10μF 50V M
C8835-36	QETN1EM-476Z	E CAP.	47μF 25V M

Symbol No.	Part No.	Part Name	Description
<b>COIL</b>			
L8201	QQL29BJ-6R8Z	PEAKING COIL	6.8μH
L8202	QQL29BJ-150Z	PEAKING COIL	15μH
L8203-04	QQL29BJ-4R7Z	PEAKING COIL	4.7μH
L8211	QQL29BJ-4R7Z	PEAKING COIL	4.7μH
L8251	QQL29BJ-6R8Z	PEAKING COIL	6.8μH
L8301-02	QQL29BJ-150Z	PEAKING COIL	15μH
L8801	QQL29BJ-6R8Z	PEAKING COIL	6.8μH

Symbol No.	Part No.	Part Name	Description
<b>DIODE</b>			
D8693-94	MTZJ9.1C-T2	ZENER DIODE	
D8703	MTZJ5.6B-T2	ZENER DIODE	
D8811-22	MTZJ9.1C-T2	ZENER DIODE	

Symbol No.	Part No.	Part Name	Description
<b>TRANSISTOR</b>			
Q8201	2SC2412K/QR/-X	SI. TRANSISTOR	
Q8211-12	2SC2412K/QR/-X	SI. TRANSISTOR	
Q8218	2SC2412K/QR/-X	SI. TRANSISTOR	
Q8219	2SA1037AK/QR/-X	SI. TRANSISTOR	
Q8252	2SA1037AK/QR/-X	SI. TRANSISTOR	
Q8253	2SC2412K/QR/-X	SI. TRANSISTOR	
Q8271	2SC2412K/QR/-X	SI. TRANSISTOR	
Q8301-02	2SC2412K/QR/-X	SI. TRANSISTOR	
Q8304-05	2SC2412K/QR/-X	SI. TRANSISTOR	
Q8371	2SC2412K/QR/-X	SI. TRANSISTOR	
Q8671-72	DTC124EKA-X	DIGI. TRANSISTOR	
Q8683-86	DTC323TK-X	DIGI. TRANSISTOR	
Q8804-05	2SC2412K/QR/-X	SI. TRANSISTOR	
Q8851-52	DTC124EKA-X	DIGI. TRANSISTOR	

Symbol No.	Part No.	Part Name	Description
<b>IC</b>			
IC8201	TC90A45P	I C	
IC8202	AN78L05-T	I.C. (MONO-ANA)	
IC8601	UPC1851BCU	I C	
IC8661	BA15218N	I.C. (MONO-ANA)	
IC8671	TC4066BP/N/	I.C. (DIGI-MOS)	
IC8801	BA7644AN	I.C. (MONO-ANA)	
IC8803	TC4066BP/N/	I.C. (DIGI-MOS)	

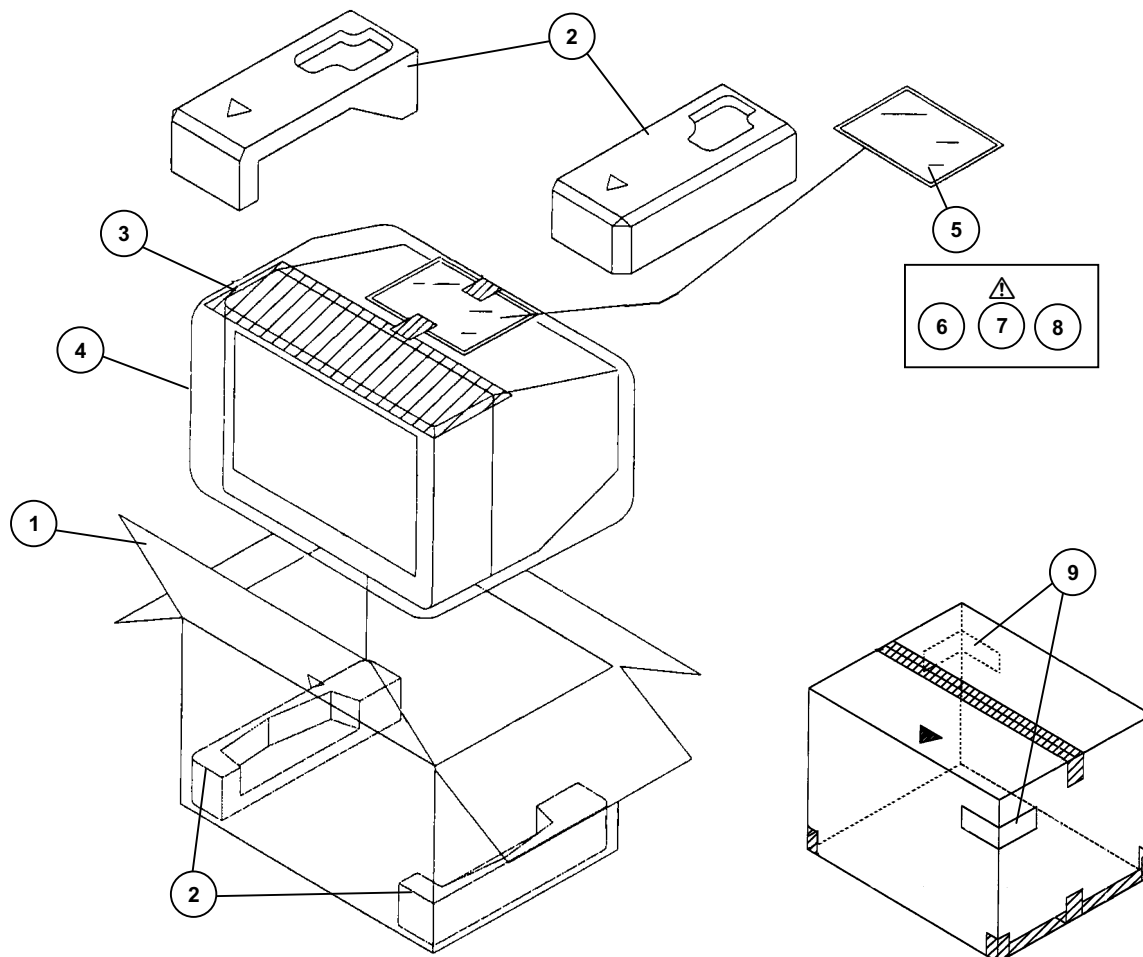
Symbol No.	Part No.	Part Name	Description
<b>OTHERS</b>			
CN8001	QGB1505K1-35	PLUG	
J8801	QNZ0454-001	PIN JACK	
J8801	QNZ0117-001	PIN JACK	
J8802	QNN0350-001	PIN JACK	
J8803	QNN0348-001	PIN JACK	
J8804	QNS0001-001	JACK	

**FRONT AV IN PW BOARD ASS'Y (SGF-8303A-M2)**

Symbol No.	Part No.	Part Name	Description
<b>RESISTOR</b>			
R8001	NRSA02J-820X	MG R	82Ω 1/10W J
R8002-03	NRSA02J-823X	MG R	82kΩ 1/10W J

Symbol No.	Part No.	Part Name	Description
<b>OTHERS</b>			
J8001	QNN0281-003	PIN JACK	
J8002	QNN0281-002	PIN JACK	
J8003	QNN0282-001	PIN JACK	

# PACKING



## PACKING PARTS LIST

△ Ref.No.	Part No.	Part Name	Description
1	LC10181-021A-A	PACKING CASE	4pcs in 1set
2	LC10367-002B-A	CUSHION ASSY	
3	CP30055-001-A	TOP COVER	
4	CP30056-008-A	POLY BAG	
5	QPA02503505	POLY BAG	
6	RM-C381-1A	REMOCON UNIT	
△ 7	LCT0815-001A-A	INST BOOK	
8	LCT0832-001A-A	SETUP GUIDE	
9	CM36616-001-A	CORNER LABEL	2pcs in 1set

**JVC**

VICTOR COMPANY OF JAPAN, LIMITED

HOME AV NETWORK BUSINESS UNIT 1106 Heta, Iwai-city, Ibaraki-prefecture, 306-0698, Japan

AVN29101-MEM #3



Printed in Japan  
VP 0008  
DP6053